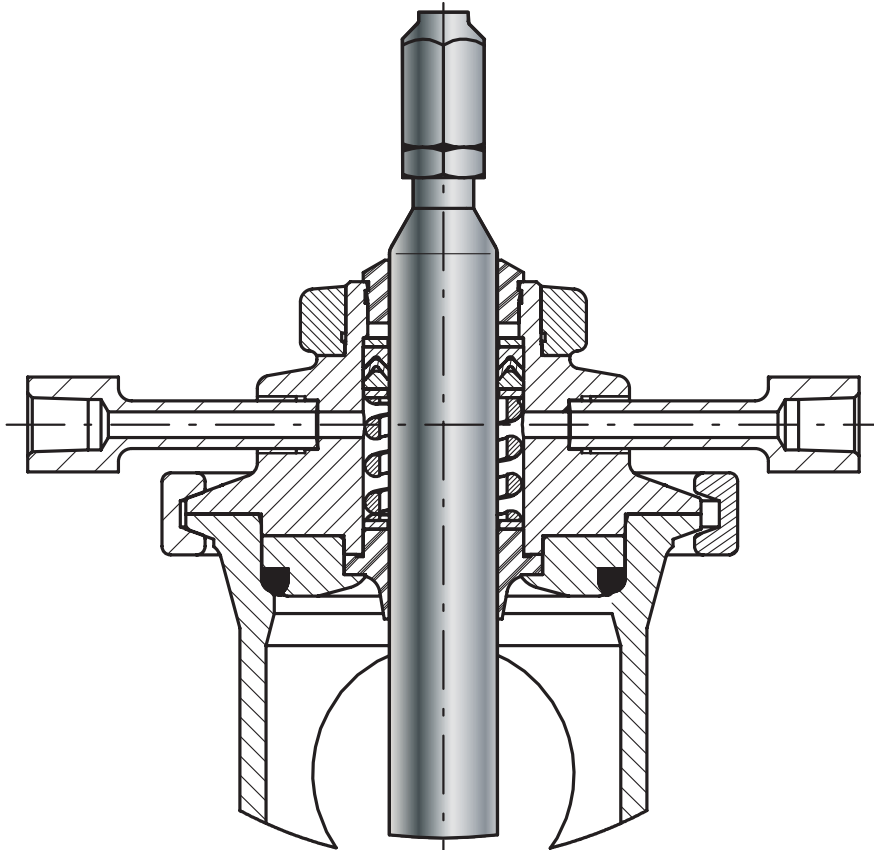


7.2.1.1 Steam line connection

The Type 3347 Control Valve can be provided with a valve bonnet including a steam line connection to meet the requirements regarding purity in the **food processing and pharmaceutical industries**. Steam or a sterilizing liquid flushes the plug stem between the two PTFE V-ring packings to prevent bacteria from being trapped.



*Figure 7.2.1.1.-1: Steam line connection in Type 3347
Valve bonnet with steam line to sterilize the plug stem*

At very high temperatures it is necessary to keep the packing cool, in order to be able to use PTFE as packing material whenever possible. Simultaneously, unnecessary energy losses should be avoided. This means that heat losses through cooling fins - as was usual in earlier days - can be avoided.