



BR 31a · Quarter-turn actuator for operating media water
Version DAP / SRP



Applications

Single-acting or double-acting piston actuators for butterfly valves, ball valves and other final control elements with rotary closure members:

- **Opening angle 90°**
- **Temperatures -+1°C to +80°C**



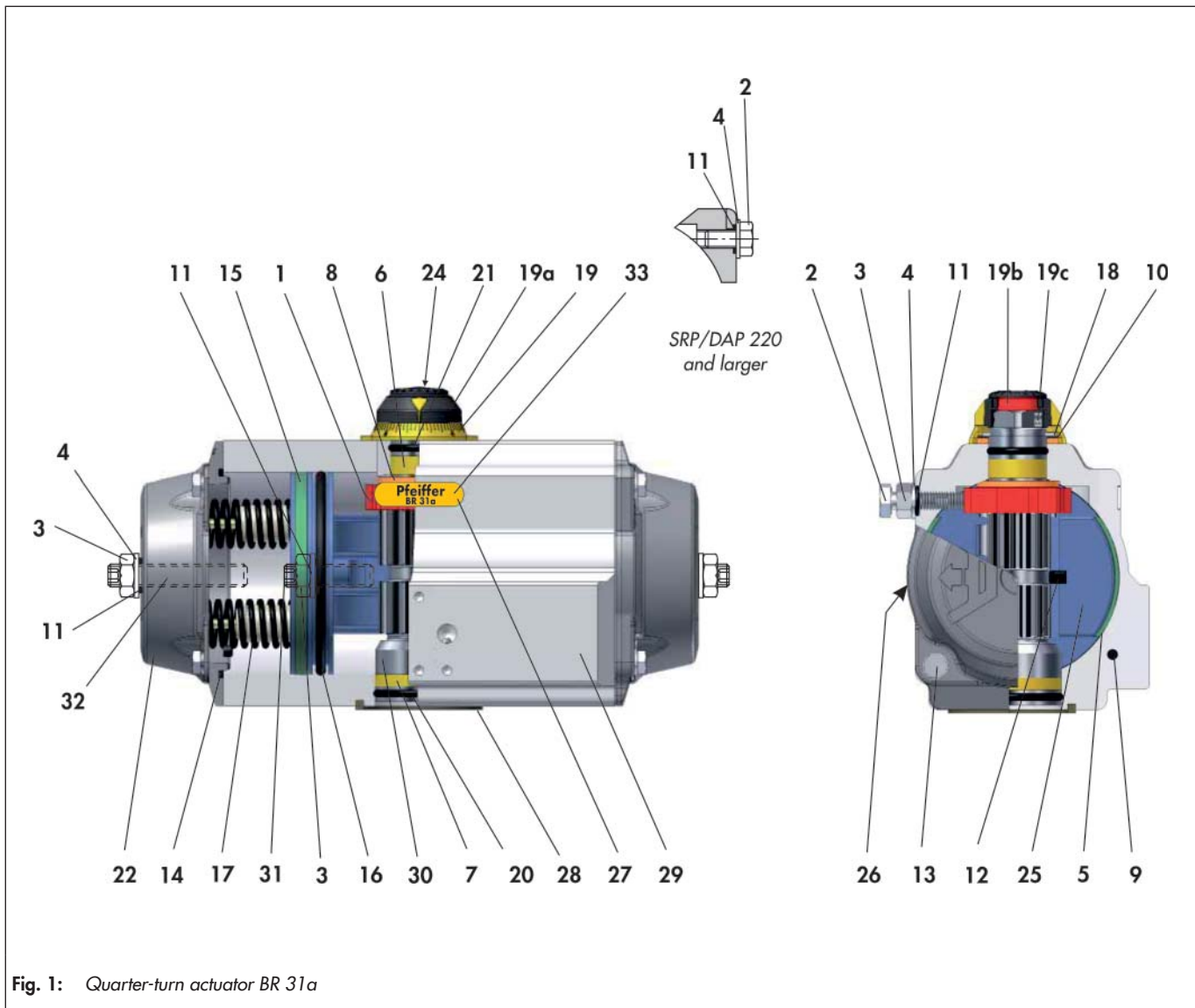


Fig. 1: Quarter-turn actuator BR 31a

Table 1: Part list

Item	Qty.	Description	Material	Specification	Corrosion Protection**
1	1	Octi cam (SRP/DAP 15 - 150)	Stainless steel	-	-
2	2	Stop cap screw (SRP/DAP 15 - 150)	A2-70	ISO 3506-1	-
2F	2	Cap screw (SRP/DAP 220 - 10000)	A2-70	ISO 3506-1	-
3	2 / 6	Nut (Stop screw)	1.4301	UNI EN 10088-2	-
4	2 / 4	Washer	A2-70	ISO 3506-2	-
4F	2	Nut (Screw internal stroke adj.) (SRP/DAP 220 - 10000)	A2-70	ISO 3506-2	-
5*	2	Bearing (Piston back)	POM	-	-
6*	1	Bearing (Pinion top) (SRP/DAP 10 - 30)	POM	-	-
		Bearing (Pinion top) (SRP/DAP 60 - 10000)	HGP	-	-
7*	1	Bearing (Pinion bottom) (SRP/DAP 10 - 30)	POM	-	-
		Bearing (Pinion bottom) (SRP/DAP 60 - 10000)	HGP	-	-
8*	2	Thrust bearing (Pinion)	POM	-	-

Item	Qty.	Description	Material	Specification	Corrosion Protection**
9*	2	Plug (SRP/DAP 10 - 4000)	Silicone	-	-
		Plug (SRP/DAP 5000 - 10000)	M-NBR	-	-
10	1	Thrust washer (Pinion)	1.4301	UNI EN 10088-2	-
11*	2 / 6	O-ring (Stop screw)	M-NBR	-	-
12	2	Piston guide	PA66+GF	-	-
13	8	Cap screw (End cap) (SRP/DAP 10 - 2000)	A2-70	ISO 3506-1	-
	12	Cap screw (End cap) (SRP/DAP 3000 - 4000)	A2-70	ISO 3506-1	-
	16	Cap screw (End cap) (SRP/DAP 5000 - 10000)	A2-70	ISO 3506-1	-
14*	2	O-ring (End cap)	M-NBR	-	-
15*	2	Bearing (Piston head)	HGP	-	-
16*	2	O-ring (Piston)	M-NBR	-	-
17	min. 5 max. 12	Spring (Cartridge)	SiCr Spring alloy steel	UNI EN 10270-2	Standard
18	1	Spring clip (Pinion)	C75	UNI EN 10132-4	Standard
19	1	Graduated ring	PA66+GF(+CB)	-	-
19a	1	Position indicator	PA66+GF+CB	-	-
19b	1	Top adaptor (SRP/DAP 60 - 10000)	Aluminium 6026	UNI EN 573/3	-
19c	2	Hex. socket screw (Top adaptor)	A2-70	ISO 3506-1	-
20*	1	O-ring (Pinion bottom)	M-NBR	-	-
21*	1	O-ring (Pinion top)	M-NBR	-	-
22	2	End cap (SRP/DAP 10 - 150)	EN AC-46000	UNI EN 1706	Anodized + Polyester coated
		End cap (threaded)) (SRP/DAP 220 - 5000)	EN AC-46000	UNI EN 1706	Anodized + Polyester coated
		End cap (threaded)) (SRP/DAP 10000)	EN AC-42100	UNI EN 1706	Anodized + Polyester coated
24	1	Cap Screw (Indicator)	PA66+GF+CB	ISO 3506-1	-
25	2	Piston (SRP/DAP 10 - 150)	EN AC-46000	UNI EN 1706	Standard
		Piston (threaded) (SRP/DAP 220 - 5000)	EN AC-46000	UNI EN 1706	Standard
		Piston (threaded) (SRP/DAP 10000)	EN AC-46400	UNI EN 1706	Standard
26	1	Identification Label	Polyester-Silver	RC 45	-
27	1	Label	Polyester		
28	1	Spigot (on request)	Extr. All. EN AW-6063	UNI EN 573/3	Standard
29	1	Body (SRP/DAP 10 - 4000)	Extr. All. EN AW-6063	UNI EN 573/3	Standard
		Body (SRP/DAP 5000 - 10000)	All. EN AC-42100	UNI EN 1706	Standard
30	1	Drive shaft	1.4401 / 316	EN 10088-3/ ASTM A582	Standard
31	2	Screw (internal stroke adj.) (SRP/DAP 220 - 10000)	A2-70	ISO 3506-1	-
32	2	Screw (external stroke adj.) (SRP/DAP 220 - 10000)	A2-70	ISO 3506-1	-
33	1	Plastic insert (SRP/DAP 15 - 3000)	Modified PA66	-	-

i Note

* *Suggested Spare parts for maintenance.*

** For other kinds of standard protection see Data sheet ► *TB 31a.*

i Note

For maintenance and/or spare parts refer to the manual

► *EB 31a.*

Technical Data

- **Operating temperature**
+1°C to +80°C
- **Opening time**
Depending on each application a. working conditions
- **Supply pressure**
Max. 8 bar
- **Water quality**
Clean water
- **Lubricant**
Standard Grease

Associated data sheets

- For dimensions and other technical dates see Data sheet
► *TB 31a*
- For installation and maintenance see Mounting and
operating instructions ► *EB 31a*